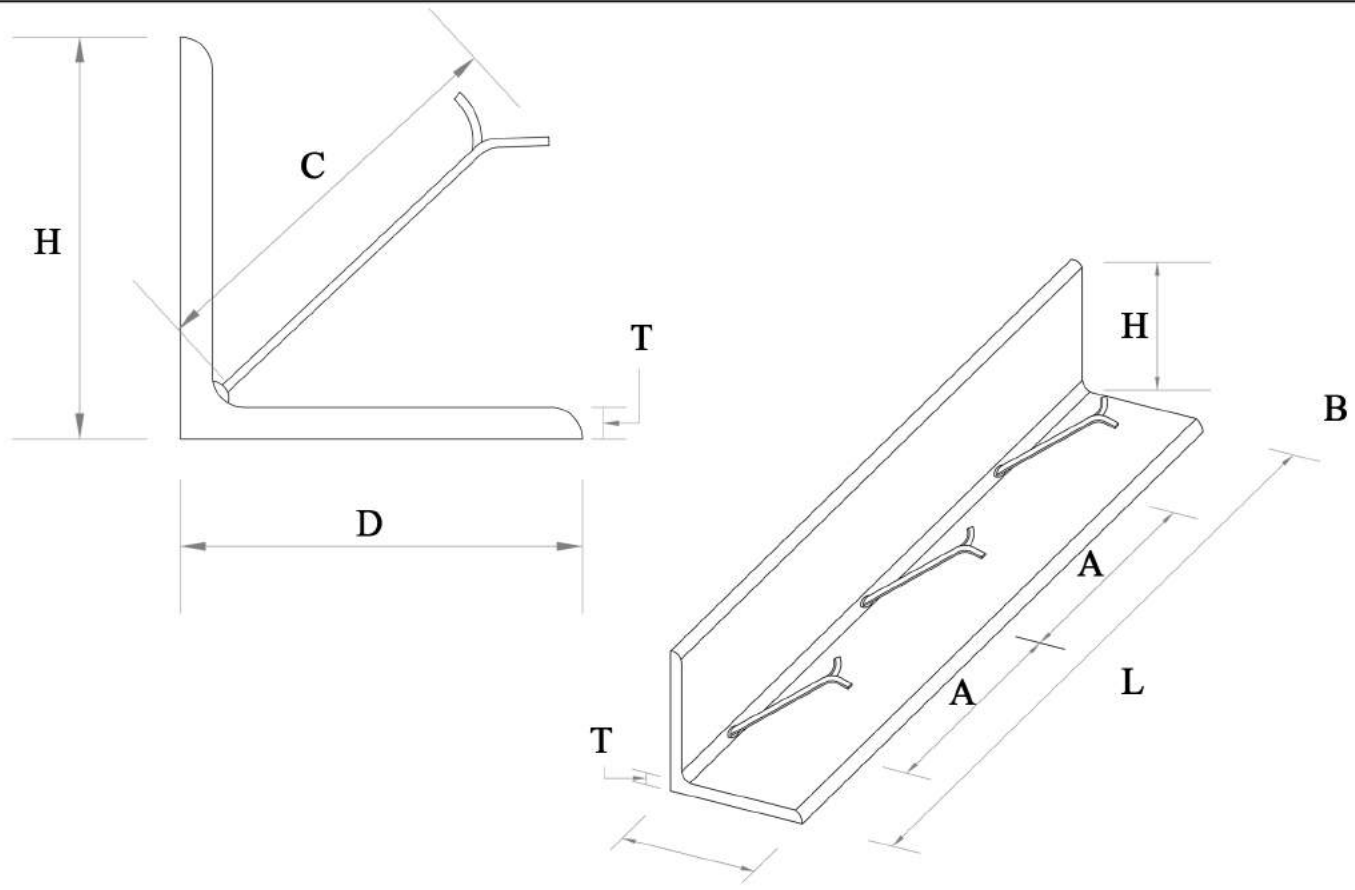


P.O. no.: \_\_\_\_\_  
 Ref. no.: \_\_\_\_\_



**CAST IN ANGLE**

**MATERIAL GRADE:**

- 4.6 Mild-steel
- 8.8 High-Tensile Steel

**FINISH:**

- Galvanised
- Plain
- Other

**DIMENSION:**

- (A) \_\_\_\_\_ (L) \_\_\_\_\_
- (B) \_\_\_\_\_ (H) \_\_\_\_\_
- (C) \_\_\_\_\_ (T) \_\_\_\_\_
- (D) \_\_\_\_\_

Client:	Items:	Grade:	Qty:
Phone :			
Email :			
Project Name.:			
Drawing no.:			
Date:	Scale: NOT TO SCALE		

Notes:

The contents of this document remains the property of Shakti Constructions Pty. Ltd. and may not be reproduced without written permission.

**SHAKTI**   
 CONSTRUCTIONS PTY LTD  
 STRUCTURAL STEEL | ENGINEERING | DESIGN | DRAFTING  
 ABN : 11 146 555 188  
 Unit 10-11, 93-99 Wingfield rd, Wingfield, SA - 5013.  
 Phone : 0425 407 076