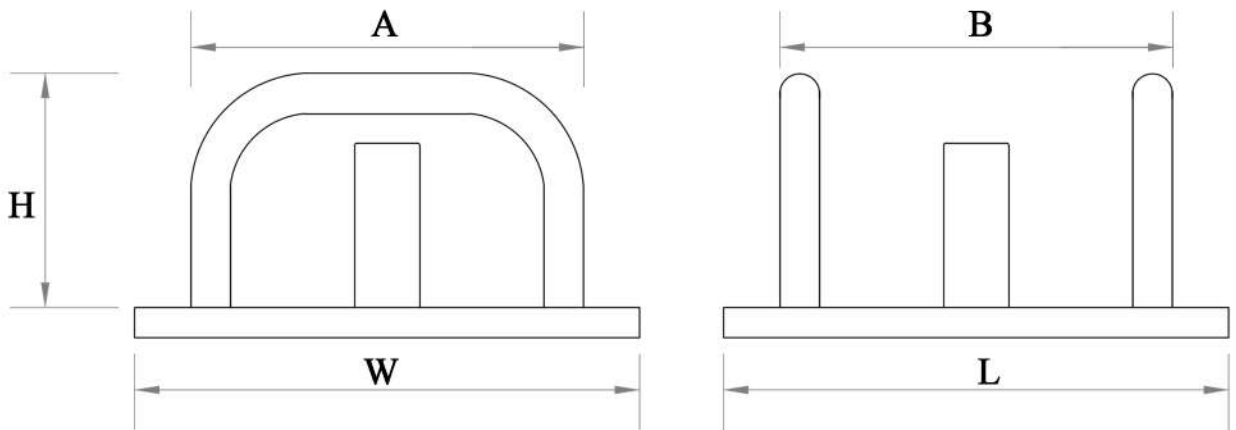
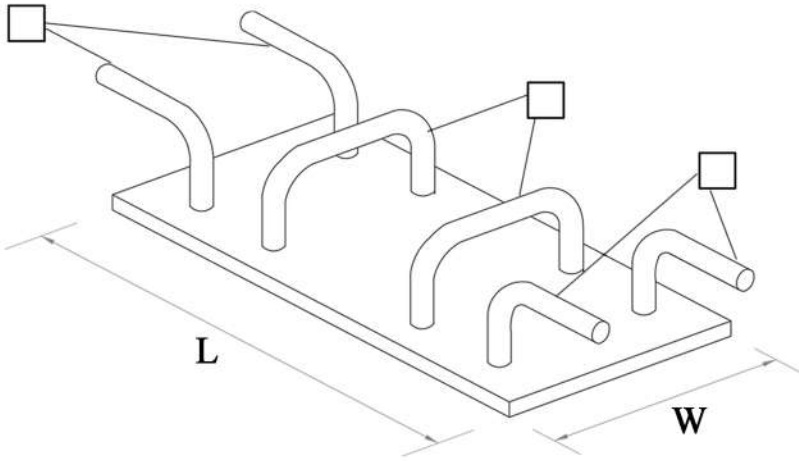


P.O. no.: _____
 Ref. no.: _____



CAST IN PLATES

MATERIAL GRADE:

- N12 N20 N28 N36
 N16 N24 N32

FINISH:

- Galvanised
 Plain
 Other

DIMENSION:

(H) _____ (A) _____
 (L) _____ (B) _____
 (W) _____

FERRULE:

- Yes No
 Size : _____

Client:	Items:	Grade:	Qty:
Phone :			
Email :			
Project Name :			
Drawing no.:			
Date:	Scale: NOT TO SCALE		

Notes:

The contents of this document remains the property of Shakti Constructions Pty. Ltd. and may not be reproduced without written permission.

SHAKTI 
 CONSTRUCTIONS PTY LTD
STRUCTURAL STEEL | ENGINEERING | DESIGN | DRAFTING
 ABN : 11 146 555 188
 Unit 10-11, 93-99 Wingfield rd, Wingfield, SA - 5013.
 Phone : 0425 407 076