

P.O. no.: _____

Ref. no.: _____

MATERIAL GRADE:

N12 N20 N28 N36

N16 N24 N32

FINISH:

Galvanised

Plain

Other

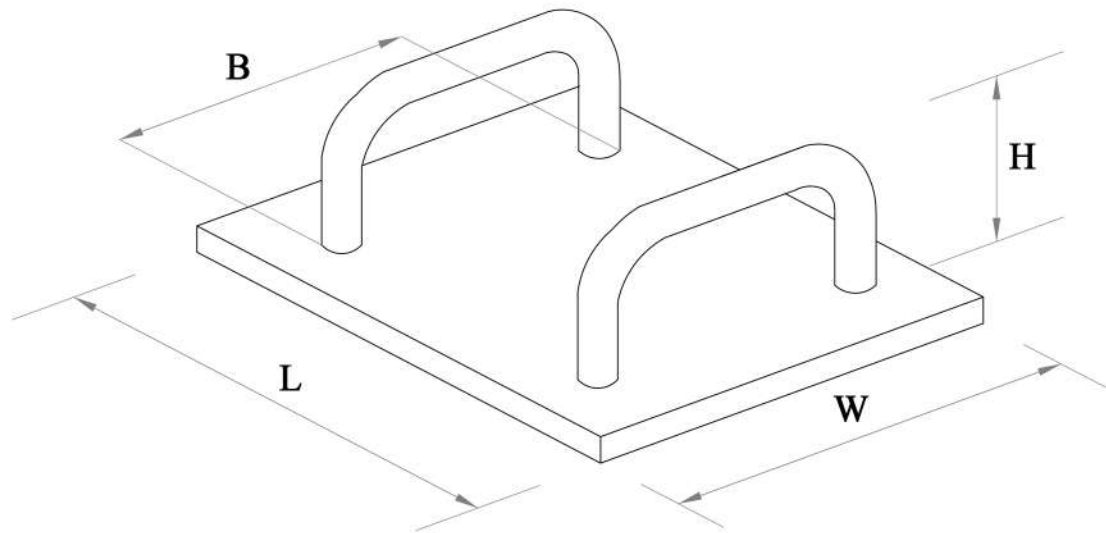
DIMENSION:

(H) _____

(B) _____

(L) _____

(W) _____



CAST IN PLATES

Client:	Items:	Grade:	Qty:
Phone :			
Email :			
Project Name :			
Drawing no.:			
Date:	Scale: NOT TO SCALE		

Notes:

The contents of this document remains the property of Shakti Constructions Pty. Ltd. and may not be reproduced without written permission.



ABN : 11 146 555 188
Unit 10-11, 93-99 Wingfield rd, Wingfield, SA - 5013.
Phone : 0425 407 076