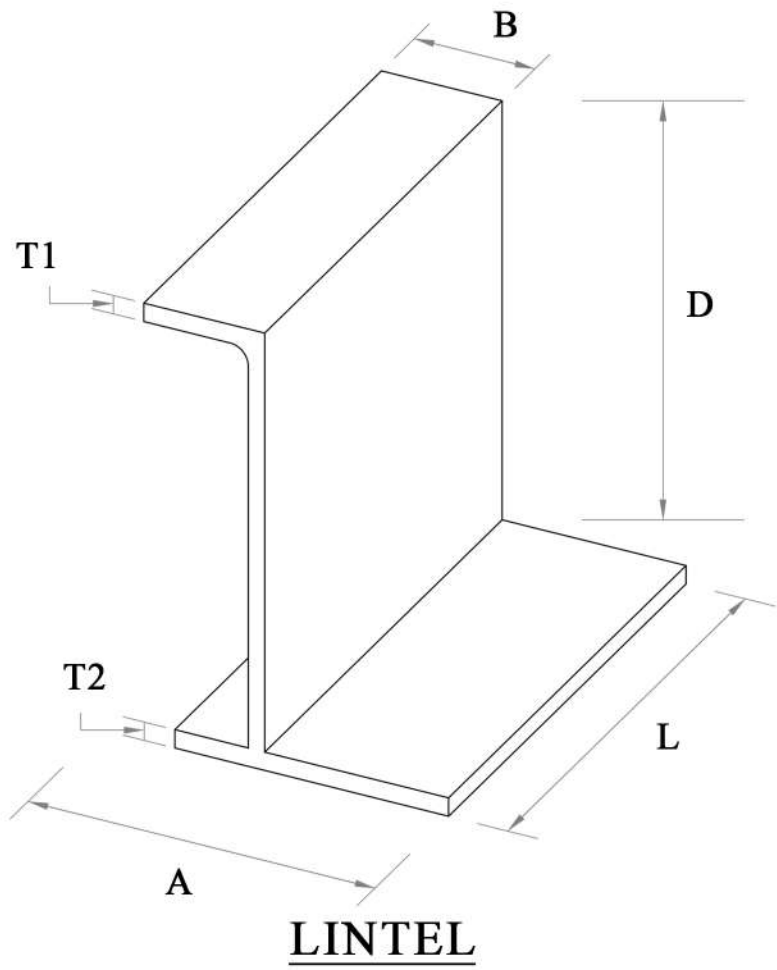


P.O. no.: _____
 Ref. no.: _____



MATERIAL GRADE:

- 4.6 Mild-steel
- 8.8 High-Tensile Steel

FINISH:

- Galvanised
- Plain
- Colour: _____
- Other

DIMENSION:

- (D) _____
- (L) _____
- (A) _____
- (B) _____
- (T1) _____
- (T2) _____

Client:	Items:	Grade:	Qty:
Phone :			
Email :			
Project Name.:			
Drawing no.:			
Date:	Scale: NOT TO SCALE		

Notes:

The contents of this document remains the property of Shakti Constructions Pty. Ltd. and may not be reproduced without written permission.

SHAKTI 
 CONSTRUCTIONS PTY LTD
 STRUCTURAL STEEL | ENGINEERING | DESIGN | DRAFTING
 ABN : 11 146 555 188
 Unit 10-11, 93-99 Wingfield rd, Wingfield, SA - 5013.
 Phone : 0425 407 076