

P.O. no.: _____
 Ref. no.: _____

MATERIAL GRADE:

- Mild-steel - Grade 250
- Mild-steel - Grade 350

FINISH:

- Galvanised
- Raw
- Colour : _____
- Other : _____

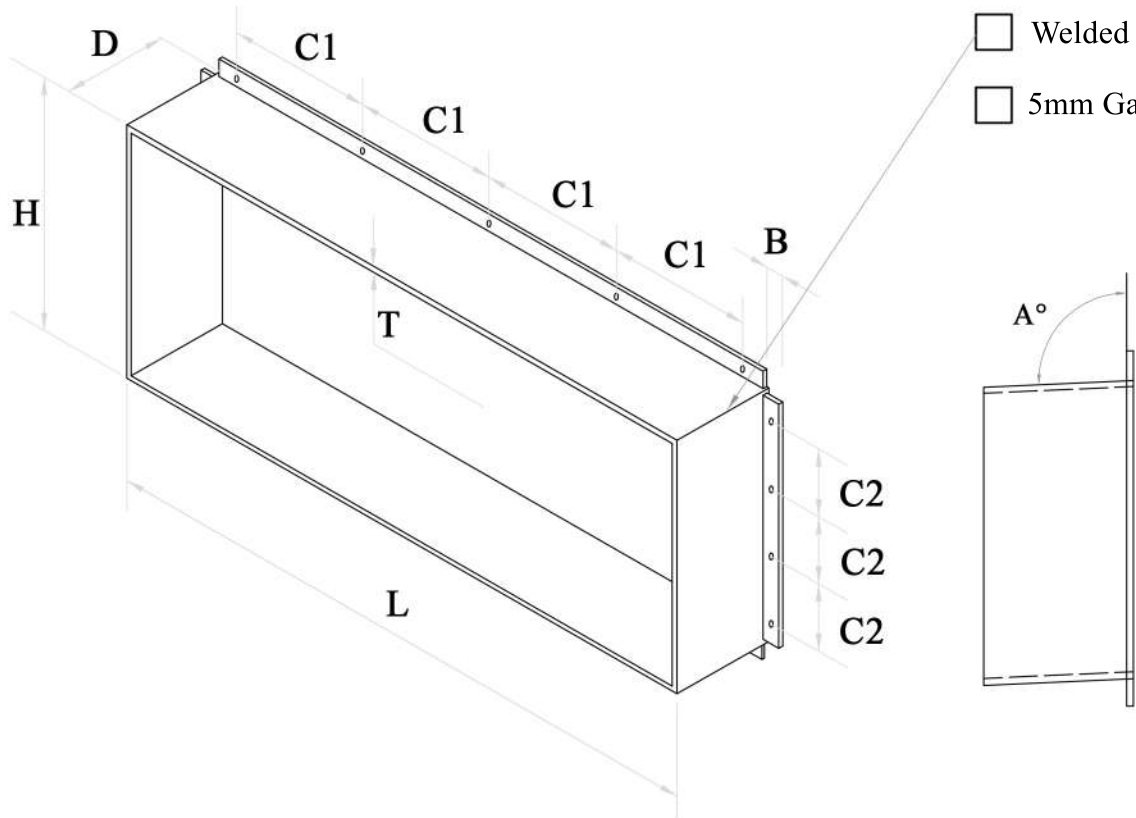
DIMENSION:

- (D) _____ (B) _____ (C2) _____
- (L) _____ (H) _____ (A°) _____
- (T) _____ (C1) _____

FIXING REQUIRED:

- Yes
- No

- Sticked
- Welded
- 5mm Gap



WINDOW SHROUD

Client:	Items:	Grade:	Qty:
Phone :			
Email :			
Project Name :			
Drawing no.:			
Date:	Scale: NOT TO SCALE		

Notes:

The contents of this document remains the property of Shakti Constructions Pty. Ltd. and may not be reproduced without written permission.



ABN : 11 146 555 188
 Unit 10-11, 93-99 Wingfield rd, Wingfield, SA - 5013.
 Phone : 0425 407 076